

POWEReasy is India's first IOT device that alerts users of high risk electrical faults to improve electrical safety. It can also be configured to isolate supply for critical faults. POWEReasy caters 12 electrical fire risks and 20 electrical conditions whereas an MCB and RCCB protect for only 3.

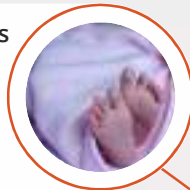
POWEReasy comes with a remote command center monitored by electrical experts they analyze & report early warning to prevent critical faults. Users are also alerted via email and whatsapp.



- Automated Audits** Save lives and assets
- Early Warnings** Prevent unplanned shutdown
- Actionable insights** Improves efficiency of electrician
- Reports to Whatsapp** Monitoring on the go

Incidents

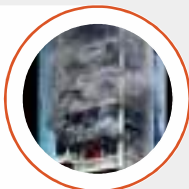
Medical Equipments
Bhopal
8 Nov, 2021
Hospital
4 Fatalities



Air Conditioner
Delhi
12 Feb, 2018
Hotel
17 Fatalities



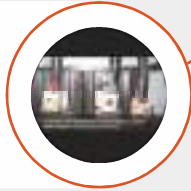
Short Circuit
Ahmednagar
6 Nov, 2021
Hospital
11 Fatalities



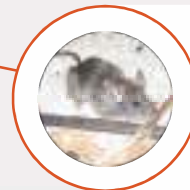
Medical Equipments
Bhubaneswar
18 Oct, 2016
Hospital
22 Fatalities



Loose Wiring
Mumbai
4 Jan, 2018
Shop
12 Fatalities



Rodents
Bangalore
28 Dec, 2018
Train
26 Fatalities



69

Fatalities/day due to electrical faults

32:1

Ration of Fatalities to injuries due to fire

86%

Fire can be prevented by proper maintenance

POWEReasy COMPANY VISION

TO ENSURE EVERY LAST INDIAN GETS RELIABLE ELECTRICITY

POWEReasy automates electrical safety. The patent pending POWEReasy is an IOT enabled device that not only monitors electrical conditions but also identifies 20 electrical faults. It has the ability to isolate the electrical supply and even diagnose and report issues via the cloud.

- **Automatic, realtime electrical audits.** POWEReasy reports all electrical conditions to a dashboard that is constantly evaluating electrical risks. Electrical audits are no longer an annual event.
- **Fire Risk mitigation.** POWEReasy provides early warning via pre diagnosis and optional isolation covering 12 critical electrical events.
- **Fault Diagnosis with root cause analysis.** POWEReasy monitors electrical signatures in realtime to identify 20 unique electrical problems. It also reports the root cause, enabling effective and in-time correction to complex electrical faults.

20 KNOWN ELECTRICAL FAULTS

Type of Fault / Functions	Potential Risk from fault				Solution Available	
	Fire	Electro-cution	Damage to equipment	Efficiency loss	MCB + RCCB	POWEReasy
Short circuit	X				Trip	Isolation
Over current	X				Trip	Warning & Optional Isolation
Earth leakage	X	X	X		Trip	Warning & Optional Isolation
Critical Over voltage	X		X		No	Warning & Optional Isolation
Critical Under voltage	X		X		No	Warning & Optional Isolation
Earth voltage	X	X	X		No	Warning & Optional Isolation
Neutral loss	X		X		No	Isolation
Phase/Line loss	X		X		No	Isolation
Arc faults	X		X		No	Optional Isolation
Surge	X		X		No	Protection & Optional Isolation
Current unbalance	X			X	No	Warning
Current harmonics	X		X	X	No	Warning
Phase Reversal			X		No	Optional Isolation
Power factor				X	No	Warning
Voltage harmonics			X		No	Warning & Optional Isolation
Short term interruptions			X		No	Warning
Voltage variation			X	X	No	Warning
Voltage unbalance			X	X	No	Warning
Inrush current			X		No	Warning
Reverse current		X			No	Warning

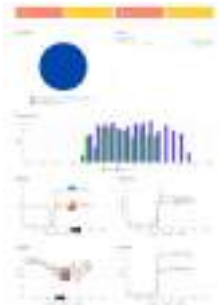
POWEReasy

w t z . y y k

n .l

oL

m .m



Type of Product

.

.nl .



t

W. .
o .

t .nl .
m . .SO
o .p .

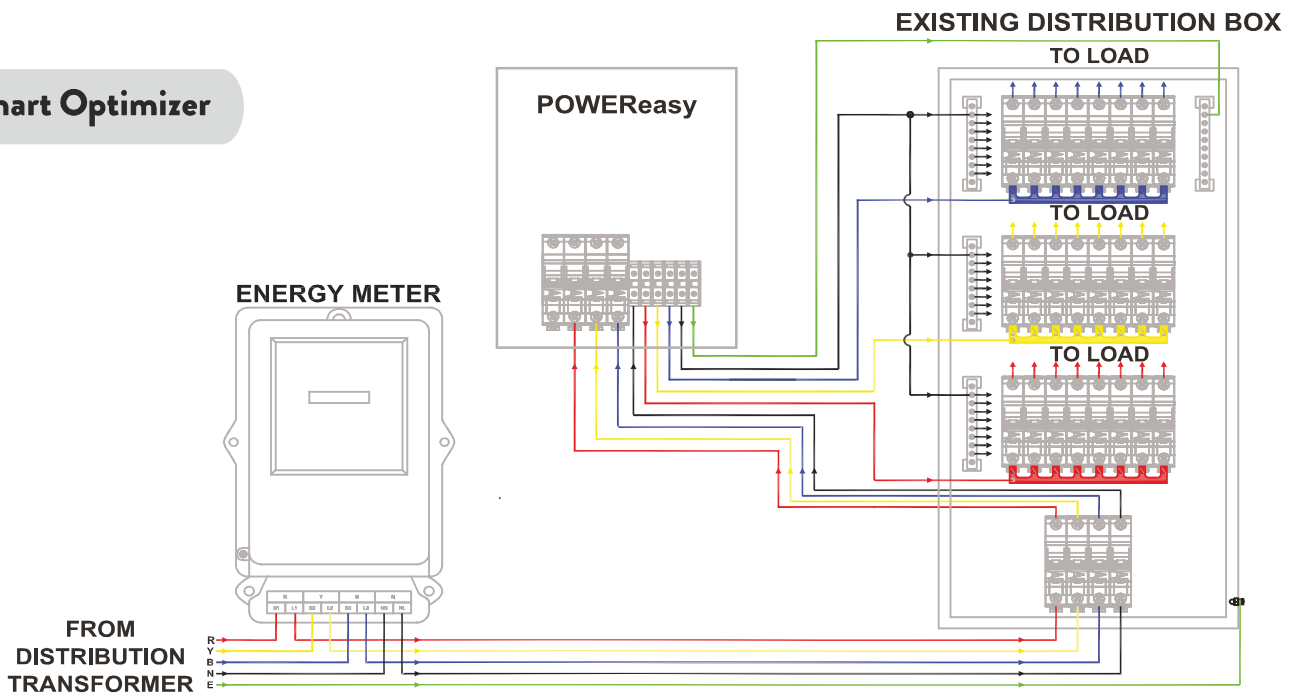
Electrical Fire Risk	All 12 risks	All 12 risks
Root Cause Analysis	All 20 risks	All 20 risks
Surge Protection	Type II	Type II
Whatsapp & Dashboard	Available	Available
Command Center	Available	Available
Distribution board	-	6Way, 8way, 12way
Mounting	Wall Mounting	Wall Concealed

.mwto z M



POWEReasy INSTALLATION DIAGRAM

Smart Optimizer



Smart DB with Optimizer

